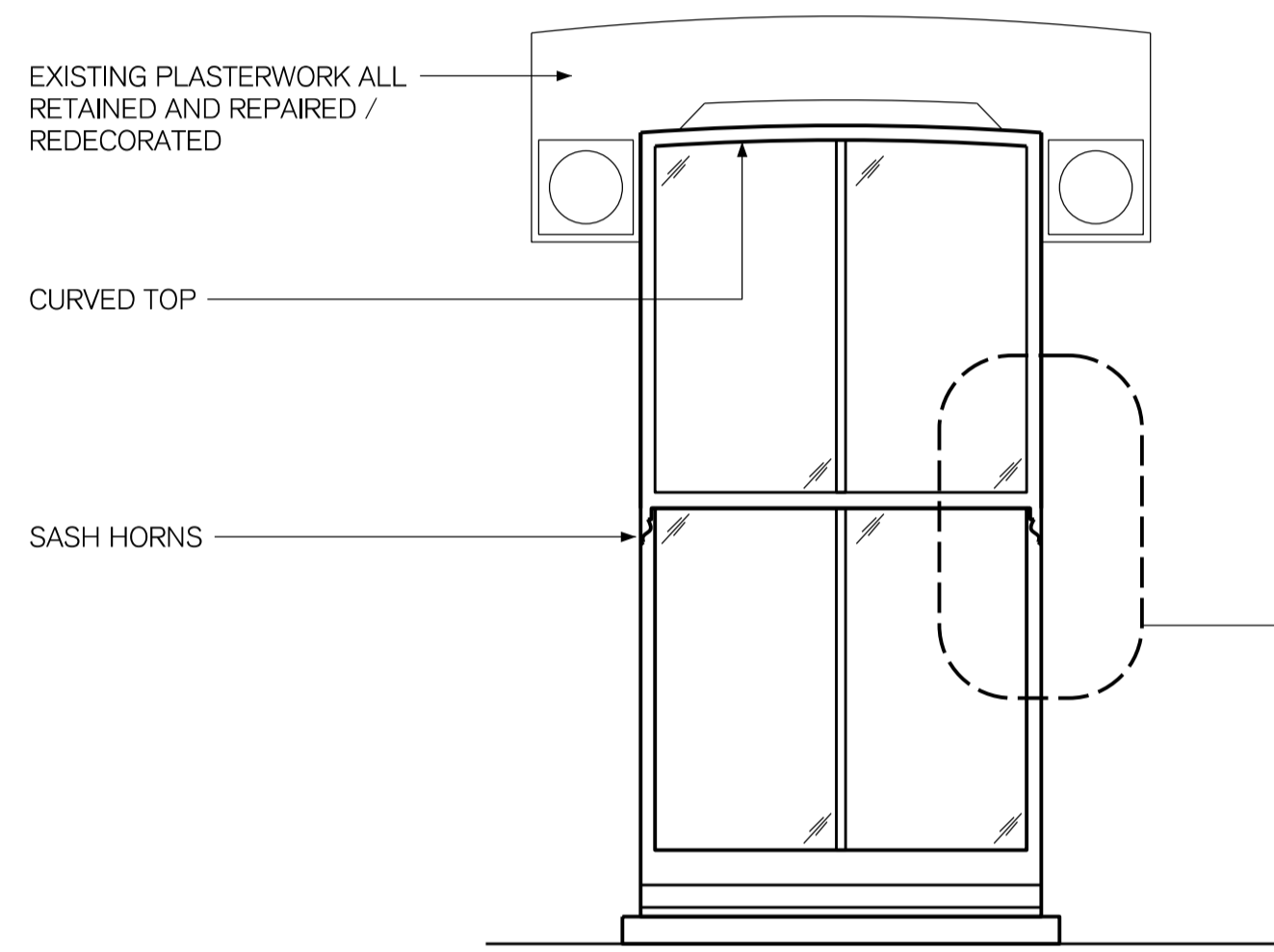
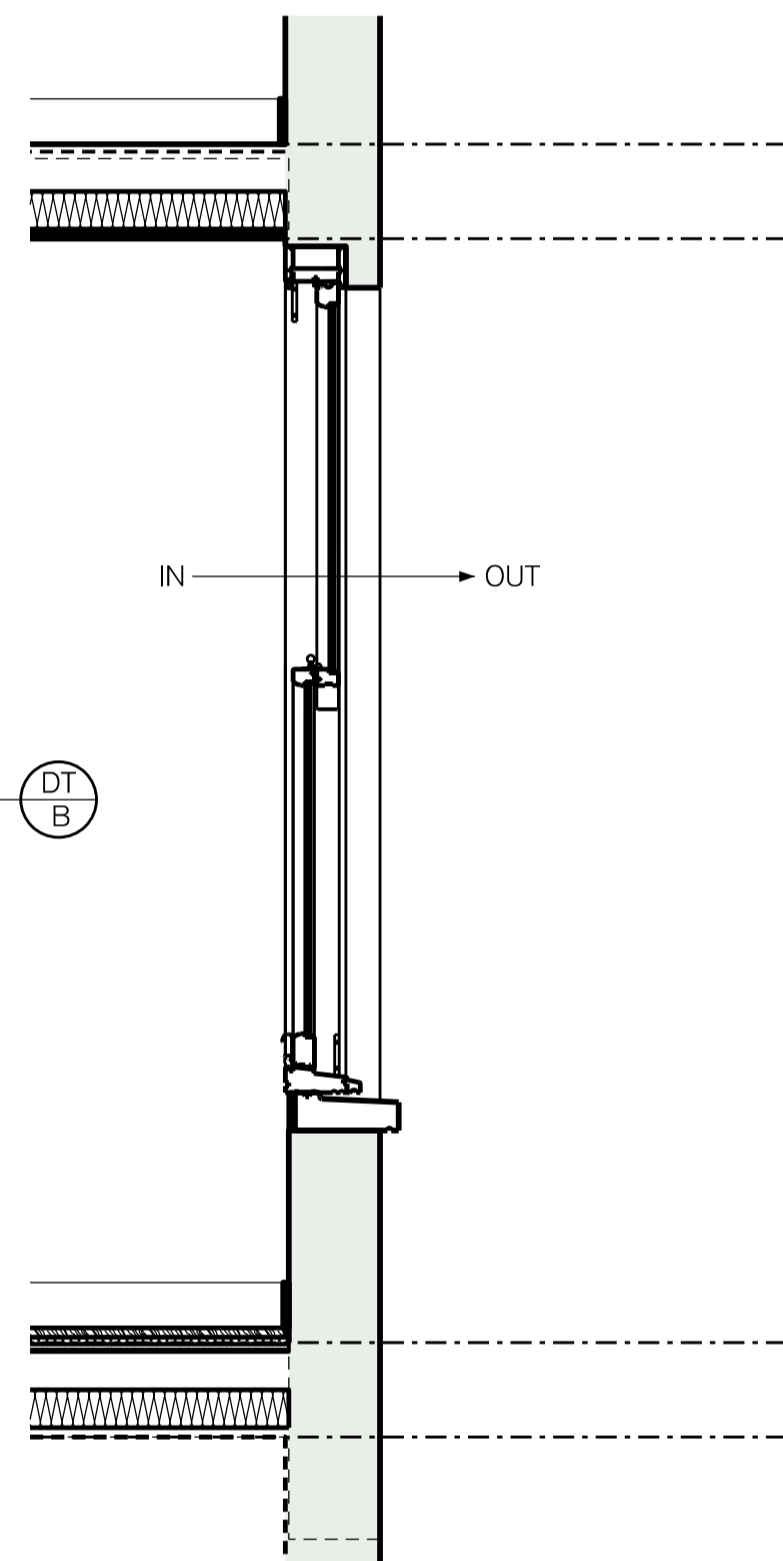


Proposed plan @ 1:20

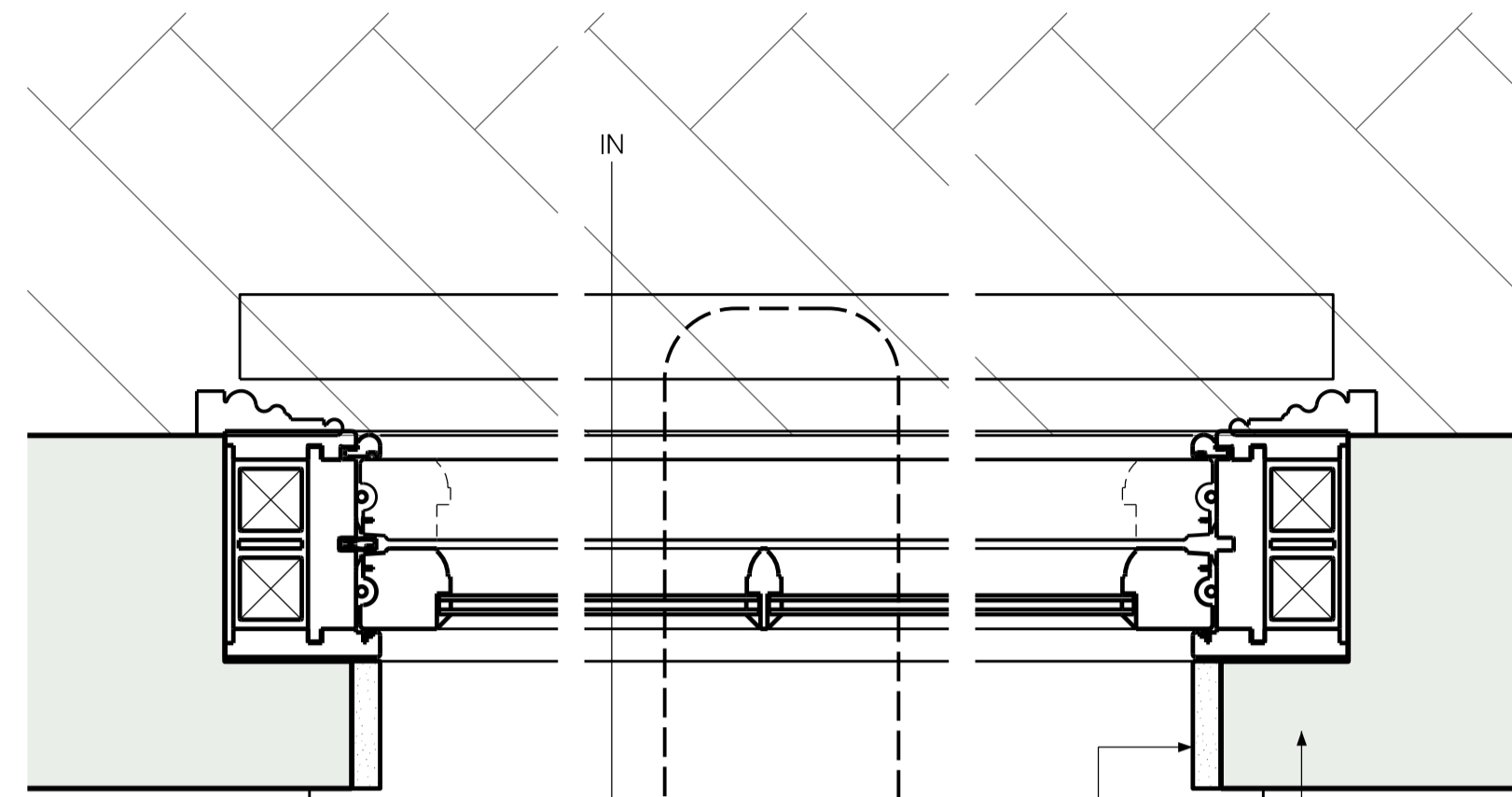


Proposed elevation @ 1:20

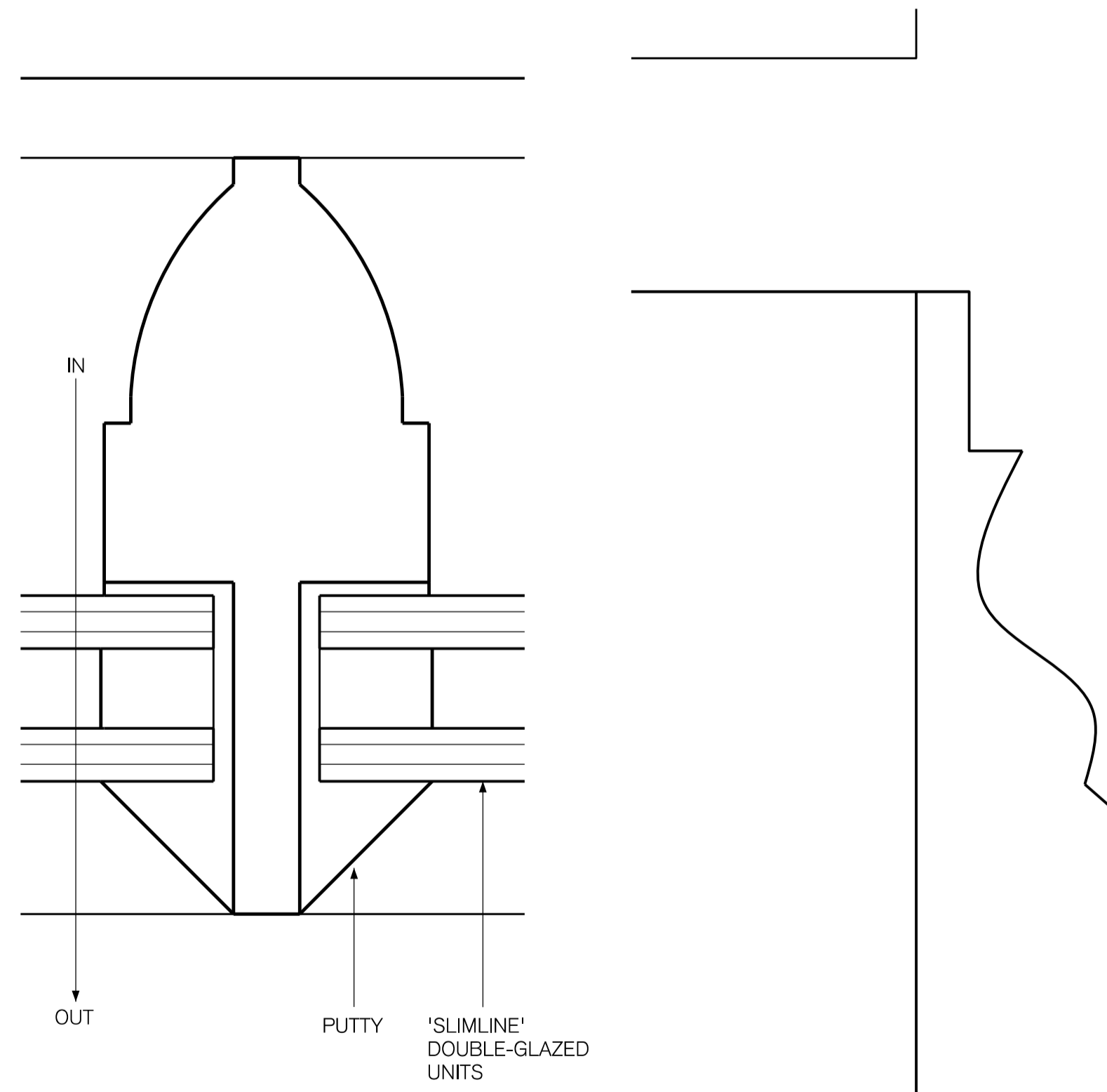


Proposed section @ 1:20

Sash window details

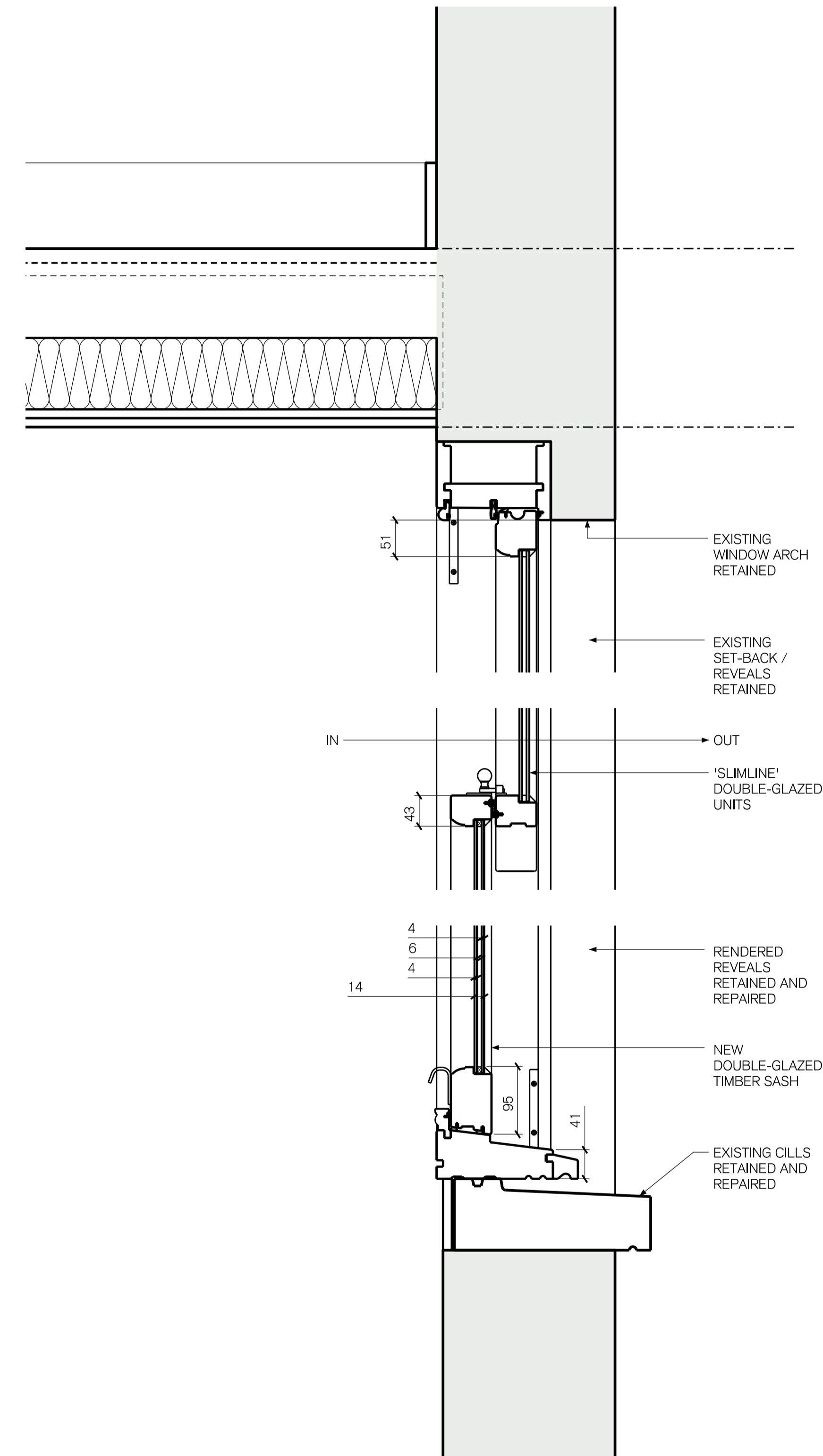


Proposed jamb details @ 1:5



Glazing bar detail A @ 1:1

Horn detail B @ 1:1



Proposed section @ 1:5

M JONES ARCHITECT

This drawing is to be read in conjunction with all other MJA drawings and written information, and all other consultants' information. Do not scale. Use figured dimensions only and report any discrepancies immediately to MJA.

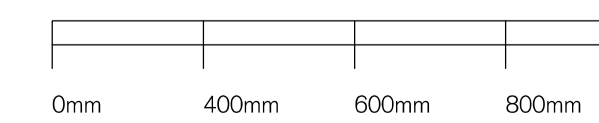
It is the contractor's responsibility to ensure all works are built in line with the current British building regulations, and to arrange visits from the appointed Building Control inspector.

This drawing and the designs within are copyright M Jones Architect, and may not be used or reproduced without permission.

The purpose of this drawing is solely for use in submission for and assessment of planning approval. It does not guarantee compliance with any other building standards.

Use for any other purpose is strictly forbidden, and MJA accept no liability for any issues arise from their misuse.

Status:	Planning		
Revision	Date	Drawn	Reason
A	10.03.20	MJ	PLANNING
B	18.03.20	MJ	PLANNING



Project	
178 Stoke Newington Church St, London N16 0JL	
Drawing	
Proposed typical glazing details	
Drawing no.	Date
190 SK 030	January 2020
Scale	Revision
1:20 @ A1 / 1:40 @ A3	B